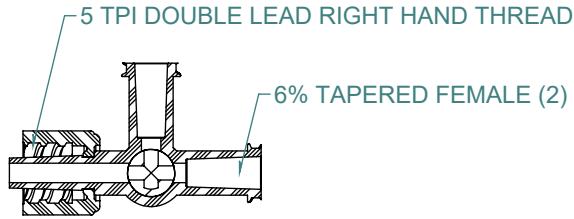
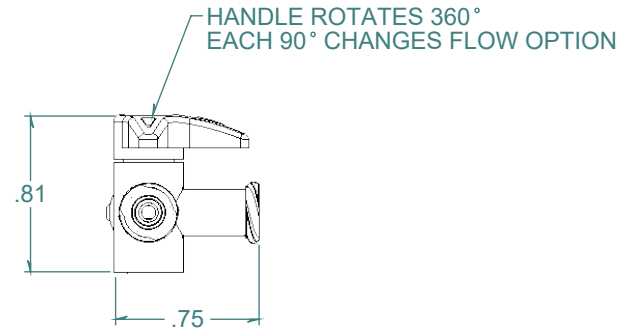
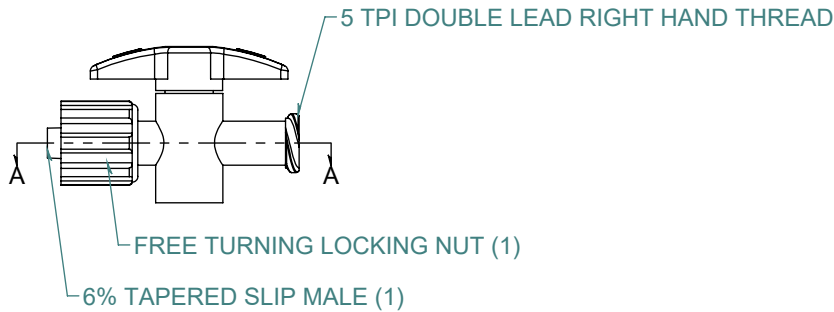
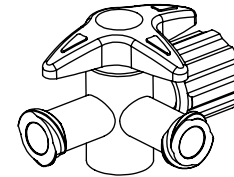


REVISION HISTORY			
REV.	DESCRIPTION	DATE	APPROVED
A	PRINT RELEASE DATE	07/20/2011	KAH
B	ECOR #A0855	12/16/2013	KAH



SECTION A-A  
SCALE 1 : 1



DIMENSIONS ARE IN INCHES UNLESS SPECIFIED. TOLERANCES ARE:	
FRACTIONS	+/- .015
2 PLACE DECIMAL	+/- .010
3 PLACE DECIMAL	+/- .005
ANGLE	NOTED

**ARK-PLAS PRODUCTS, INC.**

RCX58-GP0  
LOCKING MALE x FEMALE x FEMALE  
4-WAY SMALL LUER STOPCOCK

MATERIAL: HD POLYETHYLENE - HANDLE  
RAD. STABILIZED POLYCARBONATE - BODY

**LUERS DESIGNED TO ISO STANDARDS**

FINISH: 27 CHARMILLES  
POLISHED LUERS

SIZE	JOB # AP448	DRAWN BY: KAH	REV. LEVEL
<b>A</b>	SCALE: 1:1 DO NOT SCALE DRAWING	SHEET 1 OF 1	<b>B</b>

FREE SAMPLES ARE AVAILABLE FOR TESTING. CONTACT CUSTOMER SERVICE

**PROPRIETARY AND CONFIDENTIAL**

THE INFORMATION CONTAINED IN THIS DRAWING IS THE SOLE PROPERTY OF ARK-PLAS PRODUCTS, INC. ANY REPRODUCTION IN PART OR AS A WHOLE WITHOUT THE WRITTEN PERMISSION OF ARK-PLAS PRODUCTS, INC. IS PROHIBITED.