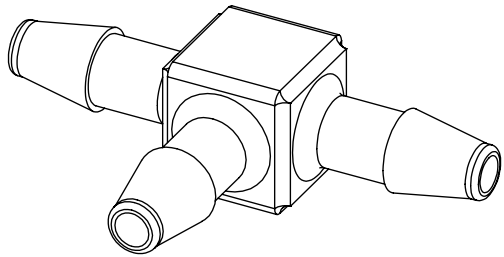
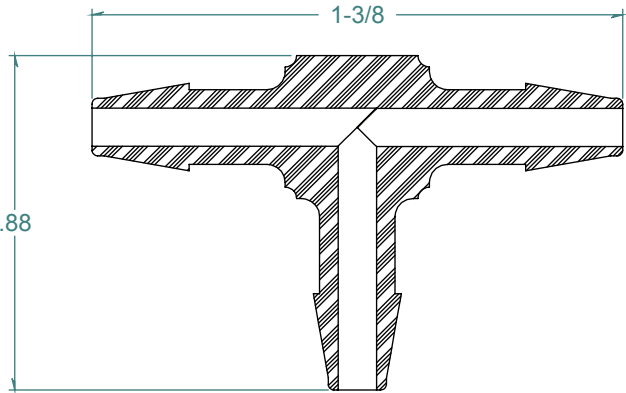
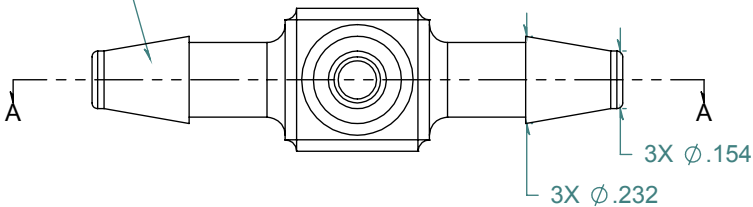


REVISION HISTORY			
REV.	DESCRIPTION	DATE	APPROVED
A	REDRAWN w/o CHANGE	09/03//2009	KAH

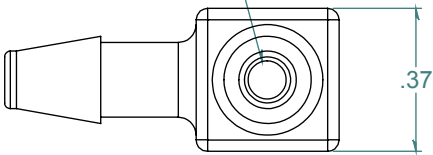
SECTION A-A



3X NO PARTING LINE ALLOWED ON THIS SURFACE



Ø.100 TYP



DIMENSIONS ARE IN INCHES UNLESS SPECIFIED. TOLERANCES ARE:
 FRACTIONS +/- .015
 2 PLACE DECIMAL +/- .010
 3 PLACE DECIMAL +/- .005
 ANGLES NOTED

ARK-PLAS PRODUCTS, INC.

MFA53-NY2
 5/32 x 5/32 x 5/32 PREMIUM GRADE
 BARBED TEE CONNECTOR

FREE SAMPLES ARE AVAILABLE FOR TESTING. CONTACT CUSTOMER SERVICE

MATERIAL: NYLON, WHITE

FINISH: RMS 109.2

PROPRIETARY AND CONFIDENTIAL
 THE INFORMATION CONTAINED IN THIS DRAWING IS THE SOLE PROPERTY OF ARK-PLAS PRODUCTS, INC. ANY REPRODUCTION IN PART OR AS A WHOLE WITHOUT THE WRITTEN PERMISSION OF ARK-PLAS PRODUCTS, INC. IS PROHIBITED.

SIZE A	JOB # AP273A	DRAWN BY: <i>KAH</i>	REV. LEVEL A
SCALE: 2:1 DO NOT SCALE DRAWING		SHEET 1 OF 1	