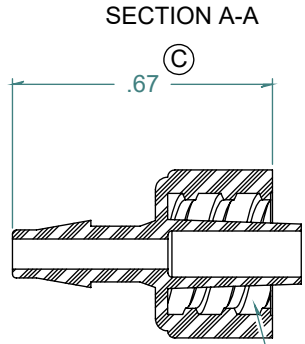
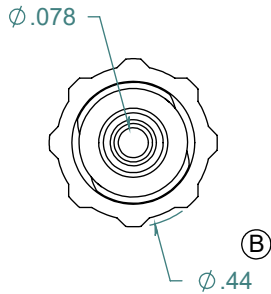
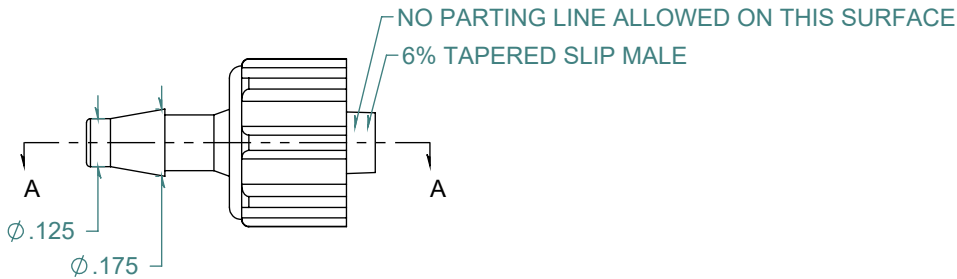
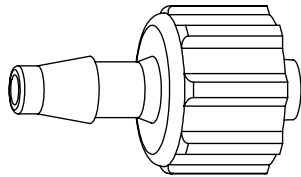


REVISION HISTORY			
REV.	DESCRIPTION	DATE	APPROVED
A	REDRAWN w/o CHANGE	10/06/2009	KAH
B	ECOR #A0144	10/06/2009	KAH
C	ECOR #A0479	10/06/2009	KAH



5 TPI DOUBLE LEAD RIGHT HAND THREAD



DIMENSIONS ARE IN INCHES UNLESS SPECIFIED. TOLERANCES ARE:  
 FRACTIONS +/- .015  
 2 PLACE DECIMAL +/- .010  
 3 PLACE DECIMAL +/- .005  
 ANGLES NOTED

**ARK-PLAS PRODUCTS, INC.**

LAX26-NY0  
 1/8 MALE LUER w/ LOCK RING

MATERIAL:  
 NYLON, NATURAL

LUER DESIGNED TO ISO STANDARDS

FINISH:  
 RMS 109.2 / POLISHED BARBS

SIZE	JOB # AP318	DRAWN BY: KAH	REV. LEVEL
<b>A</b>	SCALE: 2:1 DO NOT SCALE DRAWING	SHEET 1 OF 1	<b>C</b>

FREE SAMPLES ARE AVAILABLE FOR TESTING. CONTACT CUSTOMER SERVICE

**PROPRIETARY AND CONFIDENTIAL**

THE INFORMATION CONTAINED IN THIS DRAWING IS THE SOLE PROPERTY OF ARK-PLAS PRODUCTS, INC. ANY REPRODUCTION IN PART OR AS A WHOLE WITHOUT THE WRITTEN PERMISSION OF ARK-PLAS PRODUCTS, INC. IS PROHIBITED.