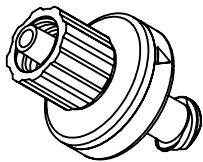
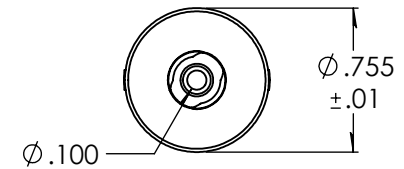
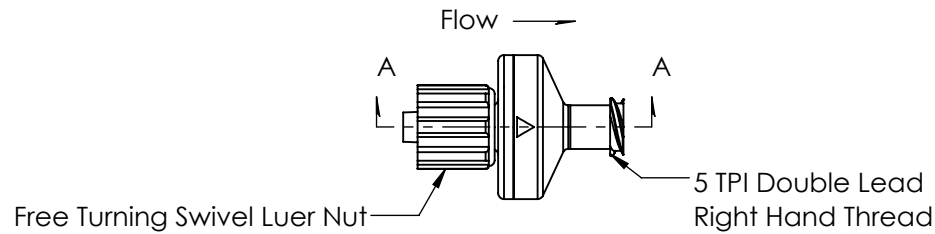
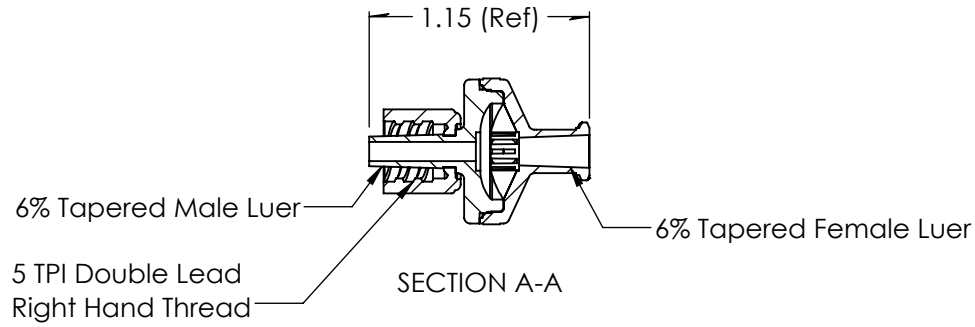


Revision History

Rev.	Description	Date	Approved
A	Print Release Date	11/13/2023	JWM



Unless otherwise specified tolerances are in inches

SAE Tolerances

Fractions:	+/- .015
2 Place Decimal:	+/- .010
3 Place Decimal:	+/- .005
Angle:	+/- 1/2*

Material:

Gamma Stable Polycarbonate
2081-15

ARKPLAS

Part #: HFX63-GP0

Description: Locking Male x Female Luer Check Valve
Luer Designed To ISO Standards
Silicone Diaphragm

Size	Job#: HFX63	Sheet 1 of 1	Rev
A	Scale: 1:1	Drawn By: JWM	A