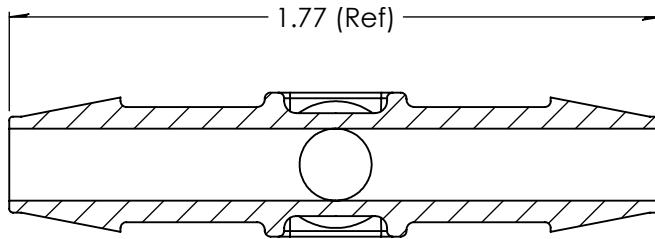
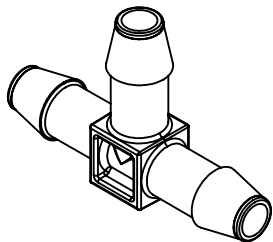
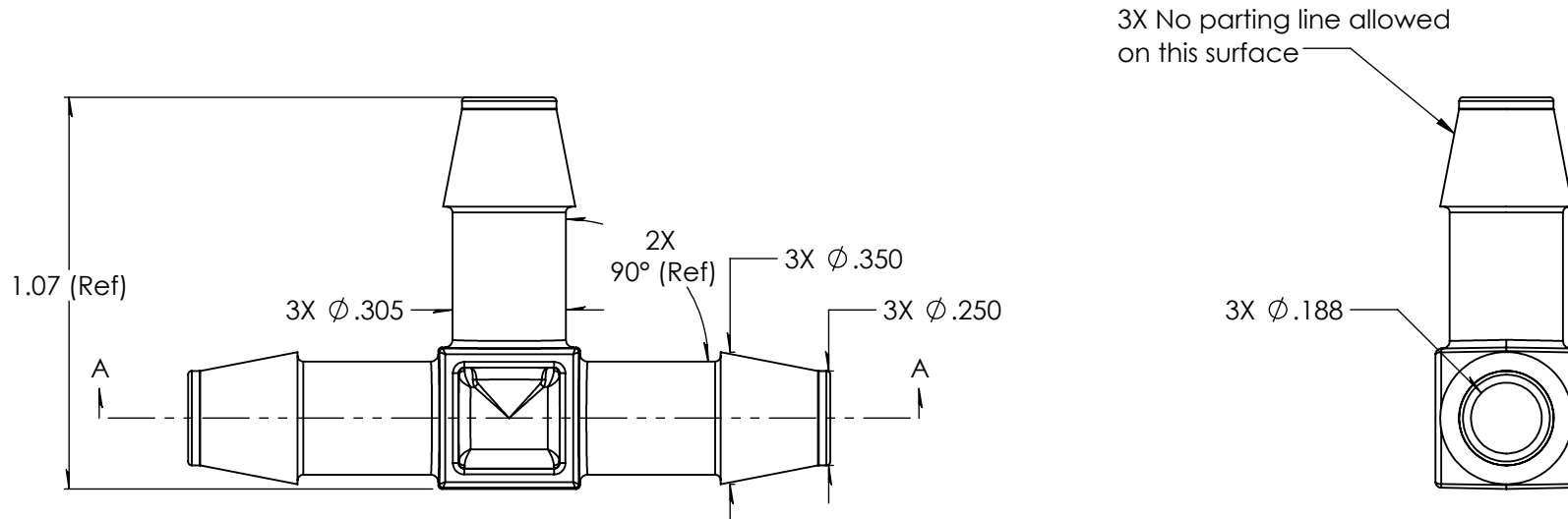


### Revision History

Rev.	Description	Date	Approved
A	Redrawn w/o Change	09/04/2009	KAH
B	Body Design Change	10/17/2023	JWM



SECTION A-A  
SCALE 2 : 1



Unless otherwise specified tolerances are in inches

#### SAE Tolerances

Fractions:	+/- .015
2 Place Decimal:	+/- .010
3 Place Decimal:	+/- .005
Angle:	+/- 1/2*

#### Material:

Natural Polycarbonate  
201-15

# ARKPLAS

Part #: MFA60-YC0

Description:  
1/4" x 1/4" x 1/4" Premium Grade Barbed Tee Connector

Size	Job#:	Sheet	Rev
<b>A</b>	MFA60	1 of 1	<b>B</b>
	Scale: 2:1	Drawn By: JWM	