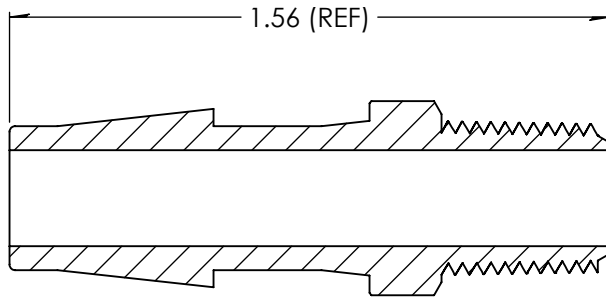
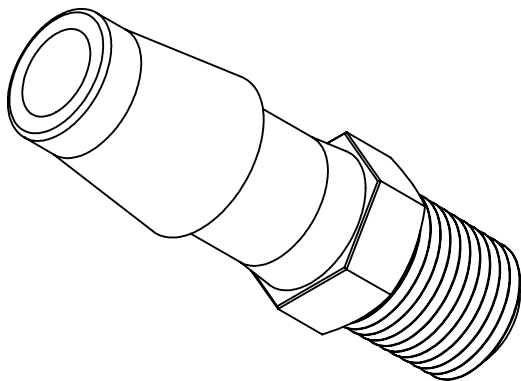
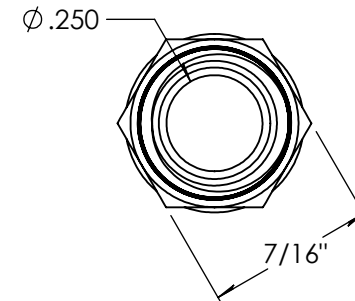
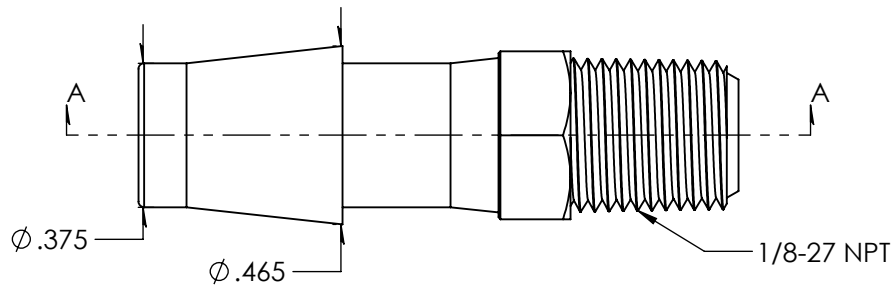


Revision History

Rev.	Description	Date	Approved
A	Print Release Date	03/07/2024	JWM



SECTION A-A
SCALE 2 : 1



Unless otherwise specified tolerances are in inches

SAE Tolerances

Fractions:	+/- .015
2 Place Decimal:	+/- .010
3 Place Decimal:	+/- .005
Angle:	+/- 1/2*

Material:

White Nylon
Zytel 101FNC010

ARKPLAS

Part #: CGA15-NY2

Description:
3/8" x 1/8-27 NPT Commercial Grade Threaded
Straight Connector

Size	Job#:	Sheet	Rev
A	CGA15	1 of 1	A
Scale:	2:1	Drawn By:	JWM