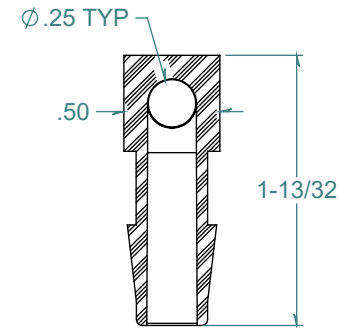
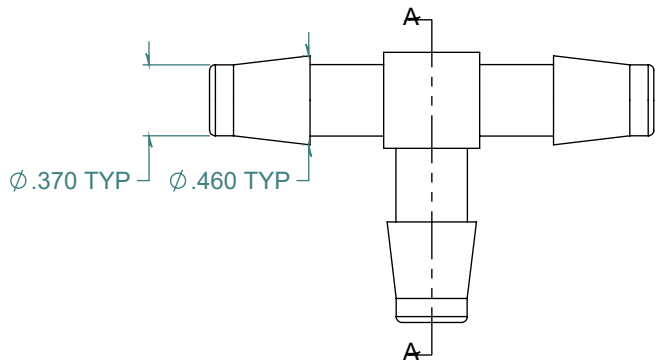
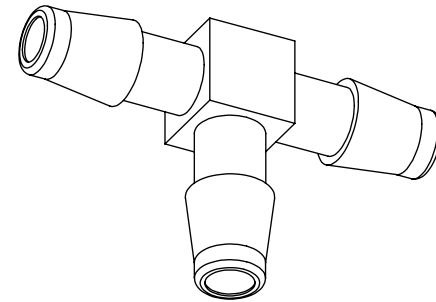
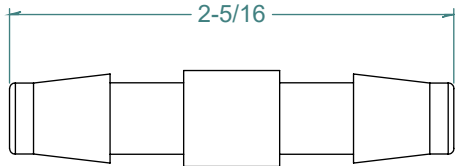


REVISION HISTORY			
REV.	DESCRIPTION	DATE	APPROVED
A	PRINT RELEASE DATE	08/28/2019	KAH



SECTION A-A

DIMENSIONS ARE IN INCHES UNLESS SPECIFIED. TOLERANCES ARE:  
 FRACTIONS +/- .015  
 2 PLACE DECIMAL +/- .010  
 3 PLACE DECIMAL +/- .005  
 ANGLE NOTED

**ARK-PLAS PRODUCTS, INC.**

CEA34-NY2  
 3/8 x 3/8 x 3/8 COMMERCIAL GRADE  
 BARBED TEE CONNECTOR

FREE SAMPLES ARE AVAILABLE FOR TESTING. CONTACT CUSTOMER SERVICE

MATERIAL:  
 NYLON, WHITE

FINISH:  
 RMS 109.2

SIZE	JOB # AP753	DRAWN BY: KAH	REV. LEVEL
<b>A</b>	SCALE: 1:1 DO NOT SCALE DRAWING	SHEET 1 OF 1	<b>A</b>

**PROPRIETARY AND CONFIDENTIAL**

THE INFORMATION CONTAINED IN THIS DRAWING IS THE SOLE PROPERTY OF ARK-PLAS PRODUCTS, INC. ANY REPRODUCTION IN PART OR AS A WHOLE WITHOUT THE WRITTEN PERMISSION OF ARK-PLAS PRODUCTS, INC. IS PROHIBITED.