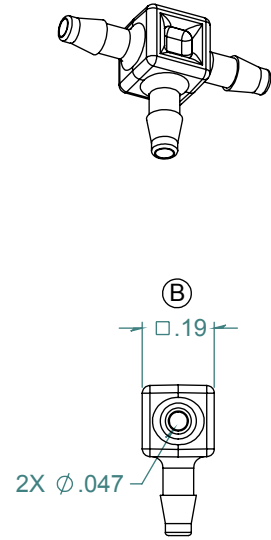
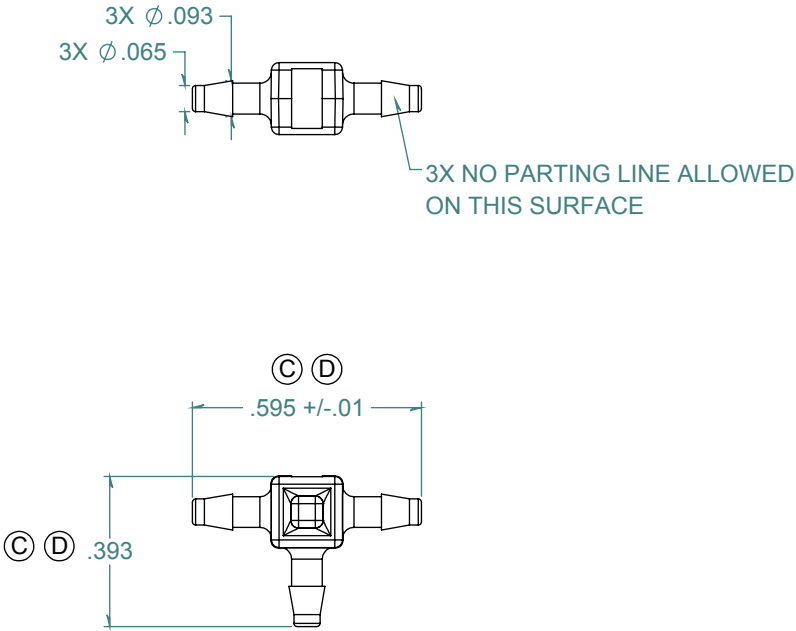


REVISION HISTORY			
REV.	DESCRIPTION	DATE	APPROVED
A	REDRAWN w/ CHANGE	04/07/2010	KAH
B	ECOR #A0144	04/07/2010	KAH
C	ECOR #A0598	04/07/2010	KAH
D	ECOR #A0896	10/02/2015	KAH
E	ECO #A1175	08/13/2019	KAH



DIMENSIONS ARE IN INCHES UNLESS SPECIFIED. TOLERANCES ARE:
 FRACTIONS +/- .015
 2 PLACE DECIMAL +/- .010
 3 PLACE DECIMAL +/- .005
 ANGLES NOTED

ARK-PLAS PRODUCTS, INC.

MFA66-PP0
 1/16 x 1/16 x 1/16 PREMIUM GRADE
 BARBED TEE CONNECTOR

MATERIAL:
 POLYPROPYLENE, NATURAL

FINISH:
 RMS 109.2 / POLISHED BARBS

SIZE A	JOB # AP868	DRAWN BY: <i>KAH</i>	REV. LEVEL E
SCALE: 2:1 DO NOT SCALE DRAWING		SHEET 1 OF 1	

FREE SAMPLES ARE AVAILABLE FOR TESTING. CONTACT CUSTOMER SERVICE

PROPRIETARY AND CONFIDENTIAL

THE INFORMATION CONTAINED IN THIS DRAWING IS THE SOLE PROPERTY OF ARK-PLAS PRODUCTS, INC. ANY REPRODUCTION IN PART OR AS A WHOLE WITHOUT THE WRITTEN PERMISSION OF ARK-PLAS PRODUCTS, INC. IS PROHIBITED.