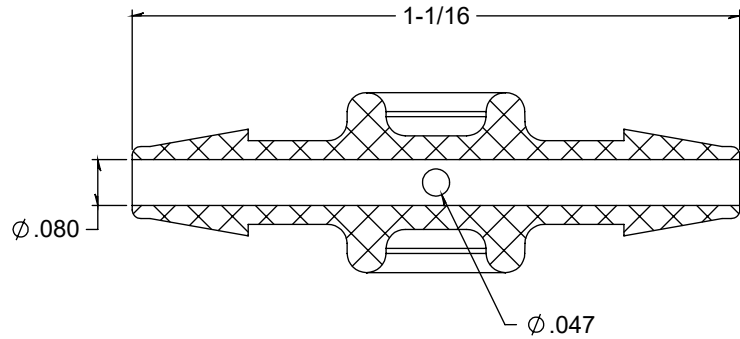
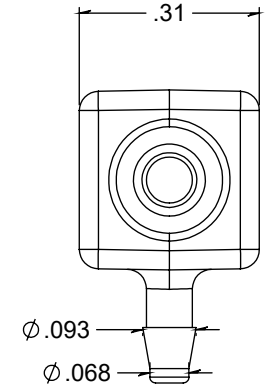
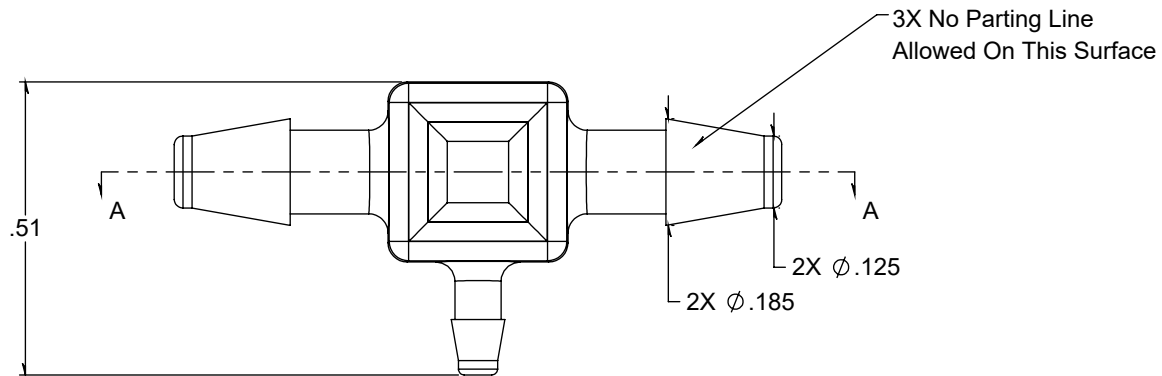
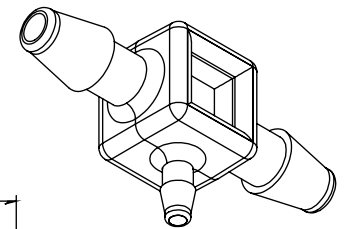


5 | 4 | 3 | 2 | 1

SECTION A-A  
SCALE 3 : 1



REVISIONS			
REV.	DESCRIPTION	DATE	APPROVED
A	REDRAWN w/CHANGE	09/24/2009	KAH
B	ECOR#A0453	09/24/2009	KAH
C	ECOR#A0951	05/10/2016	KAH
D	ECOR#A0954	05/16/2016	KAH
E	New Body Style	01/11/2022	JWM



DIMENSIONS ARE IN INCHES  
UNLESS SPECIFIED.  
**TOLERANCES ARE:**  
FRACTIONS +/- .015  
2 PLACE DECIMAL +/- .010  
3 PLACE DECIMAL +/- .005  
4 PLACE DECIMAL +/- .0005  
ANGLES +/- 1/2°

**ARK-PLAS PRODUCTS, INC.**

**MFC26-DF0**  
**1/8 x 1/8 x 1/16 Premium Grade**  
**Barb Reducing Tee Connector**

**MATERIAL:**  
Kynar, Natural

**FINISH:**  
RMS 109.2

SIZE <b>A</b>	JOB # MFC26	DRAWN BY: JWM	REV. LEVEL
SCALE: 3:1	SHEET 1 OF 1	<b>E</b>	

PROPRIETARY AND CONFIDENTIAL  
THE INFORMATION CONTAINED IN THIS DRAWING IS THE SOLE PROPERTY OF  
ARK-PLAS PRODUCTS, INC. ANY REPRODUCTION IN PART OR AS A WHOLE  
WITHOUT THE WRITTEN PERMISSION OF ARK-PLAS PRODUCTS, INC. IS PROHIBITED.

5 | 4 | 3 | 2 | 1