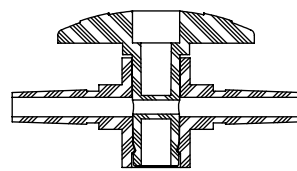
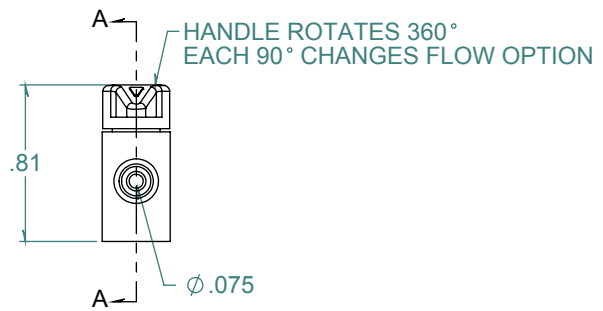
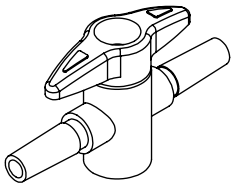
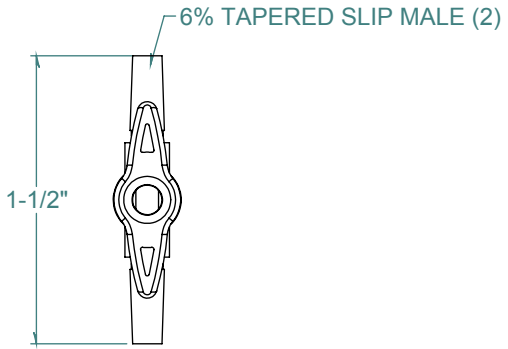


REVISION HISTORY			
REV.	DESCRIPTION	DATE	APPROVED
A	PRINT RELEASE DATE	12/03/2013	KAH



SECTION A-A

DIMENSIONS ARE IN INCHES UNLESS SPECIFIED. TOLERANCES ARE:	
FRACTIONS	+/- .015
2 PLACE DECIMAL	+/- .010
3 PLACE DECIMAL	+/- .005
ANGLE	NOTED

**ARK-PLAS PRODUCTS, INC.**

RAX50-DF0  
SLIP MALE x SLIP MALE  
1-WAY SMALL LUER STOPCOCK

MATERIAL:  
NATURAL KYNAR

LUERS DESIGNED TO **ISO** STANDARDS

FINISH:  
RMS 109.2 / POLISHED LUERS

SIZE	JOB # AP266	DRAWN BY: <i>KAH</i>	REV. LEVEL
<b>A</b>	SCALE: 1:1 DO NOT SCALE DRAWING	SHEET 1 OF 1	<b>A</b>

FREE SAMPLES ARE AVAILABLE FOR TESTING. CONTACT CUSTOMER SERVICE

**PROPRIETARY AND CONFIDENTIAL**

THE INFORMATION CONTAINED IN THIS DRAWING IS THE SOLE PROPERTY OF ARK-PLAS PRODUCTS, INC. ANY REPRODUCTION IN PART OR AS A WHOLE WITHOUT THE WRITTEN PERMISSION OF ARK-PLAS PRODUCTS, INC. IS PROHIBITED.