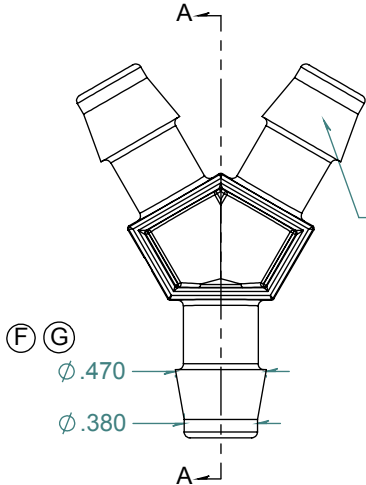
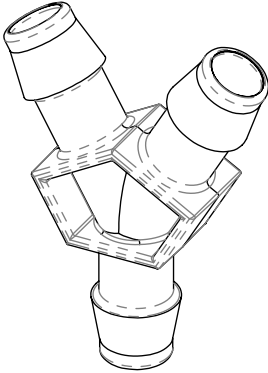
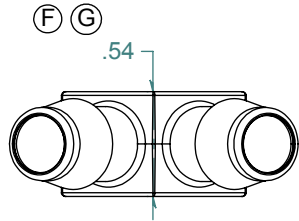
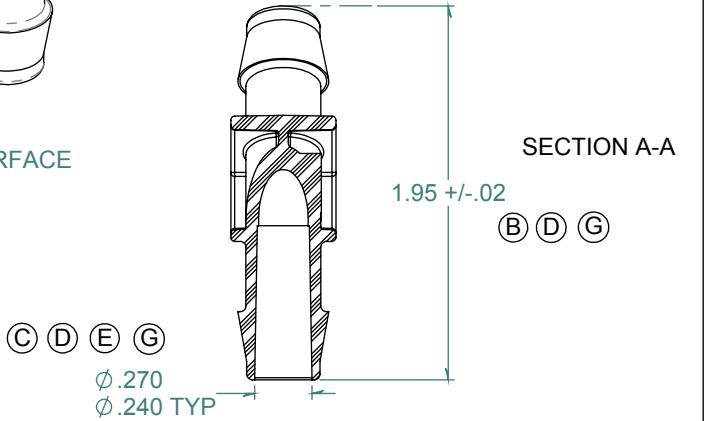


| REVISION HISTORY |                   |            |          |
|------------------|-------------------|------------|----------|
| REV.             | DESCRIPTION       | DATE       | APPROVED |
| A                | REDRAWN w/ CHANGE | 03/18/2010 | KAH      |
| B                | ECOR #A0593       | 03/18/2010 | KAH      |
| C                | ECOR #A0605       | 04/20/2010 | KAH      |
| D                | ECOR #A0888       | 07/30/2015 | KAH      |
| E                | ECOR #A0971       | 07/13/2016 | KAH      |
| F                | ECOR #A1012       | 03/30/2017 | KAH      |
| G                | ECO #A1163        | 10/22/2018 | KAH      |



3X NO PARTING LINE ALLOWED ON THIS SURFACE



FREE SAMPLES ARE AVAILABLE FOR TESTING. CONTACT CUSTOMER SERVICE

DIMENSIONS ARE IN INCHES UNLESS SPECIFIED. TOLERANCES ARE:  
 FRACTIONS +/- .015  
 2 PLACE DECIMAL +/- .010  
 3 PLACE DECIMAL +/- .005  
 ANGLES NOTED

**ARK-PLAS PRODUCTS, INC.**

MDX44-DF0  
 3/8 x 3/8 x 3/8 PREMIUM GRADE  
 BARBED Y CONNECTOR

MATERIAL:  
 KYNAR, NATURAL  
 FINISH:  
 RMS 109.2 / POLISHED BARBS

|                                    |               |                      |                        |
|------------------------------------|---------------|----------------------|------------------------|
| SIZE<br><b>A</b>                   | JOB # MDX44-2 | DRAWN BY: <i>KAH</i> | REV. LEVEL<br><b>G</b> |
| SCALE: 1:1<br>DO NOT SCALE DRAWING |               | SHEET 1 OF 1         |                        |

**PROPRIETARY AND CONFIDENTIAL**  
 THE INFORMATION CONTAINED IN THIS DRAWING IS THE SOLE PROPERTY OF ARK-PLAS PRODUCTS, INC. ANY REPRODUCTION IN PART OR AS A WHOLE WITHOUT THE WRITTEN PERMISSION OF ARK-PLAS PRODUCTS, INC. IS PROHIBITED.